



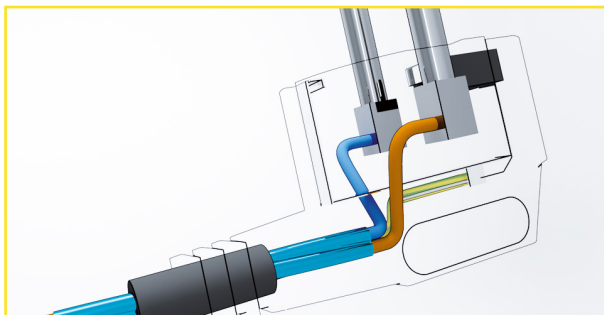
Low frequency



- very flexible and pliable cable for non-stationary electrical loads with intermediate cord switch
- connection of lamps and other movable devices
- plastic-coated aluminium strip, two-wire copper min. 0.34 mm²
- screen (alternating electric field, 50 Hz mains voltage)
- reduction of the alternating magnetic field through twisting
- protection class 1 - with PE protective wire
- Shielded flexible cable for connecting movable devices incl. moulded Schuko plug on one side and two-pole intermediate cord switch.
- The intermediate cord switch disconnects the following electrical device 100% from the mains, no alternating electrical field remains. The voltage is switched off, regardless of the plug position in the socket. In addition, the 2-pole switch prevents stand-by current in appliances without a „real off switch“, saving you electricity and therefore money.
- Please note that the shielding wire may only be connected on one side. With this cable, the shielding wire (fine-stranded) is already connected to the plug. It is insulated accordingly on the open cable side and not connected. See diagram.

Order-No.: 300552

Short-Desc.: GAL-SZ 2,0 ws



Home installation

Device connection cable GAL-SZ 2.0

Technical data

length:	2,0 metre
colour:	white
cross-section:	3 x 0,75 mm ² + shielding wire fine wire
diameter:	6,6 mm ± 0,2 mm
load: (max.)	6 A acc. IEC 320-1
intermediate cord switch:	2-pole cut-off mounted approx. 30 cm from the end
insulation cable: Shield:	polyvinyl chloride plastic-coated aluminium strip, two-wire Cu min. 0.34 mm ² fine wire
operating voltage: (max.)	250 VAC / 50 Hz
reduction of alternating magnetic field:	beat 15 (single wires twisted against each other 15x per metre)
protection class:	1 (with protective wire)
angle protection- contact plug:	moulded, CEE-Norm 7/VII, DIN 49441
free line end:	stripped approx. 70 mm, with wire end ferrules

Scope of delivery

cable with Schuko plug with free end and intermediate cord switch

Scope of application

very flexible and bendable cable for non-fixed electrical consumers

connection of lamps and other movable devices

